

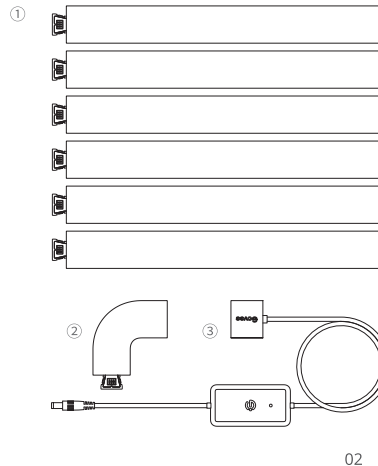
To Watch The Installation Video Tutorial

- Visit the Govee Glide Wall Light product page on store.govee.com
- Search "Govee Glide Wall Light" on Amazon or YouTube.

Caution

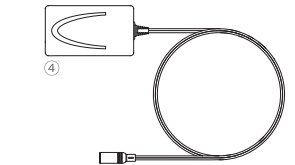
- Do not power on until you have assembled all segments.
- This product is ideally used on smooth surfaces (e.g. glass, wood, etc); not suitable for uneven, bumpy or wet surfaces (e.g. brick, stucco, etc).
- Keep the product away from water. If you need to clean it, please use a dry rag.
- Clean and ensure the surface is totally dry before sticking the product on.

01



In the Box

- ① 6 Segments (30cm each)
- ② 1 Corner Piece
- ③ 1 Control Box and Input
- ④ 1 Power Adapter

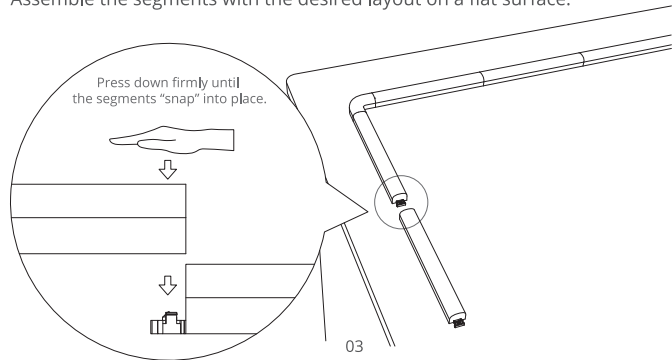


02

Before Installation

Step 1

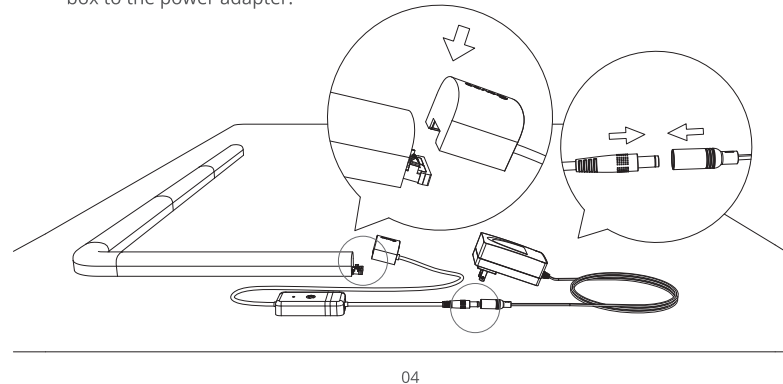
Assemble the segments with the desired layout on a flat surface.



03

Step 2

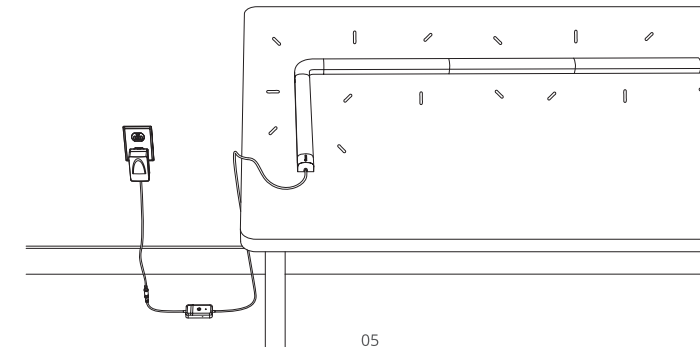
Connect the input to the end segment/corner piece. Then connect the control box to the power adapter.



04

Step 3

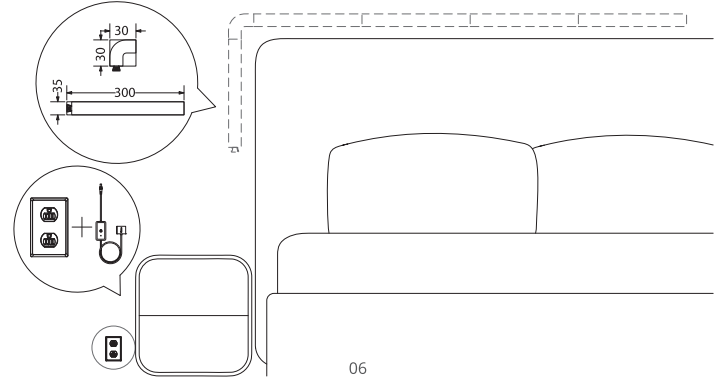
Power on to check each segment is working. Next, power off, disassemble the segments, and disconnect the control box.



05

Step 4

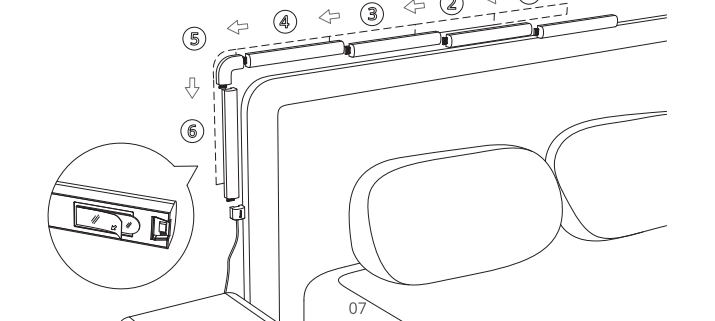
Plan the appropriate installation location in advance. Determine the position of the outlet, it is recommended to place the control box and adapter close to the outlet.



Installation Steps

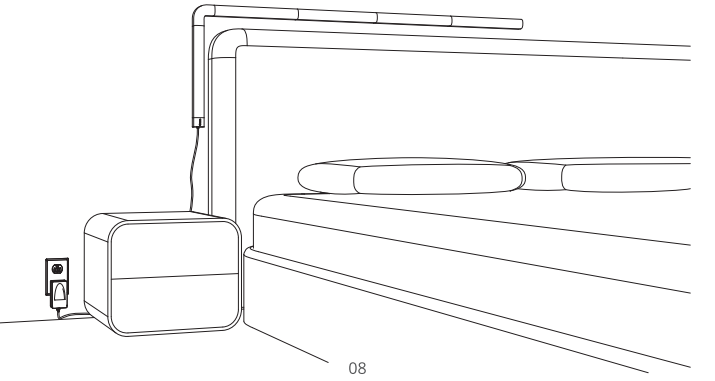
Step 1

Install the segments from the side farthest away from the adapter. When installing, remove the protective film and push each segment firmly on the wall for at least 30 seconds.



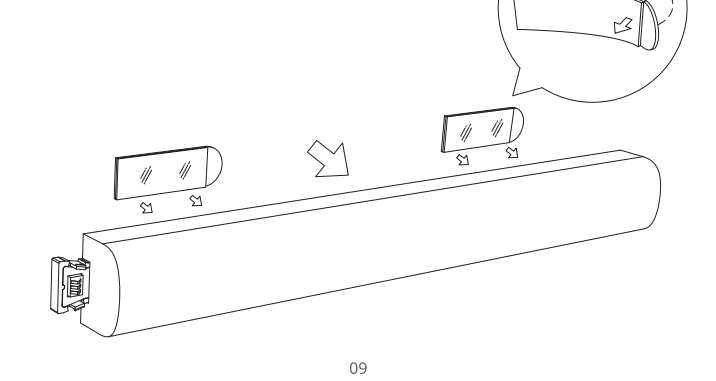
Step 2

After assembling all the segments, connect the input at the end of the control box wire to the end segment and finally to the power adapter.



To Disassemble

Pull to detach the segments and then remove the adhesive tape from the wall.



Govee Glide Wall Light Quick Start Guide